



**Blackhawk
Automotive**™

Blackhawk Automotive is a Licensed Trade Mark

Made by ©SFA Companies, Kansas City, MO

High Reach Supplementary Stand Operating Instructions & Parts Manual

Model
BH5720

Capacity
2 Ton



This is the safety alert symbol. It is used to alert you to potential personal injury hazards. Obey all safety messages that follow this symbol to avoid possible injury or death.

! ADVERTENCIA

- Leer, comprender, y seguir las instrucciones antes de utilizar el aparato.
- El manual de instrucciones y la información de seguridad deben estar comunicados en lengua del operador antes del uso.
- No seguir estas indicaciones puede causar daños personales o materiales.

! WARNING

To avoid **crushing and related injuries**:



DO NOT use to support a vehicle.
Use **ONLY** under a properly secured automotive lift.

! WARNING: Cancer and Reproductive Harm.
www.P65Warnings.ca.gov

SFA Companies
10939 N. Pomona Ave. Kansas City, MO 64153
sales@blackhawk-automotive.com

Read this manual and follow all the Safety Rules and Operating Instructions before using this product.

Made in PRC
BH5720-MO_112018

SAFETY and GENERAL INFORMATION

Save these instructions. For your safety *read, understand, and follow* the information provided with and on this stand before using. The owner and operator of this equipment shall have an understanding of the stand and safe operating procedures before attempting to use. The owner and operator shall be aware that use of this product may require special skills and knowledge. Instructions and safety information shall be conveyed in the operator's native language before use of these jack stands is authorized. If any doubt exists as to the safe and proper use of these stands, remove from service immediately.

Inspect before each use. Do not use if broken, bent, cracked, or damaged parts (including labels) are noted. Any stand that appears damaged in any way, operates abnormally or is missing parts, shall be removed from service immediately. If you suspect that the stand was subjected to a shock load (a load dropped suddenly, unexpectedly upon it), immediately discontinue use until the stand has been checked by a factory authorized service center (contact distributor or manufacturer for list of authorized service centers). It is recommended that an annual inspection be done by qualified personnel. Labels and owner's manuals are available from manufacturer.

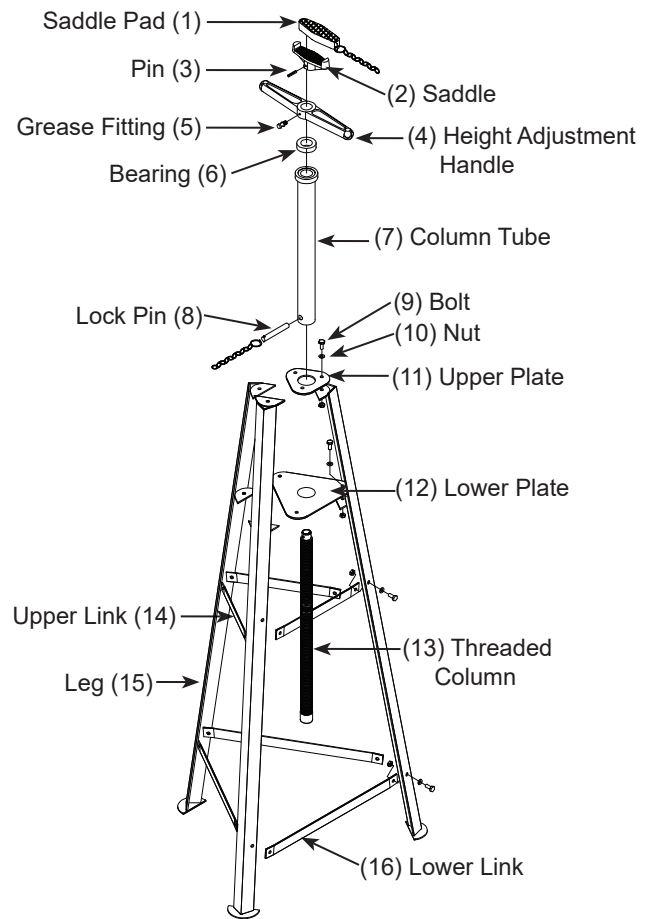


Figure 1 - Model BH5720 Components

PRODUCT DESCRIPTION

Blackhawk Automotive High Reach Supplementary Stand is designed to help prevent the tipping/ rocking of a vehicle while the vehicle is engaged on an automotive lift. For use **ONLY under a properly secured automotive lift**. It is to be used in pairs to **stabilize** a vehicle during service. It is **not** intended to support the lifted load, only to stabilize the load as work is being performed under a **properly secured lift**. The rated capacity of this device is intended to be used as a reference of the working load that this stand is capable of sustaining. The working load is **NOT** increased if used in pairs. The working load of a pair of stands **shall not** be considered to be more than the rated capacity of a single stand. The rated capacity of this stand is **4000 lb**.

⚠ NEVER use high reach supplementary stand to support a vehicle! Use a pair to prevent vehicle tipping/rocking while vehicle is on an automotive lift.

Parts List for Model BH5720:

Item	Part No.	Description	Qty
1	T455-00002-000	Saddle Pad	1
2	T455-00003-000	Saddle	1
3	*	Pin, D6x40mm	1
4	T455-00001-000	Height Adjustment Handle	1
5	*	Grease Fitting	1
6	*	Bearing	1
7	T457-02000-000	Column Tube	1
8	T457-04000-000	Lock Pin	1
9	*	HCS M8X15	18
10	*	Nut, Hex M8	18
11	T457-00003-000	Upper Plate	1
12	T457-05000-000	Lower Plate	1
13	T457-03000-000	Threaded Column	1
14	T457-00002-000	Link, Upper	3
15	T457-01000-000	Leg	3
16	T457-00001-000	Link, Lower	3
(*)	T457-06000-000	Hardware Kit	-

SPECIFICATIONS

Model	Capacity	Base Size (L x W)	Min. Height	Max. Height	Saddle Size	Net Weight
BH5720	2 Ton	24" x 22-1/2"	69"	78-1/2"	5-1/4" x 1-1/2"	44 lb.

ASSEMBLY

(refer to Fig. 1)

Before beginning assembly of product, make sure all parts are present. Compare parts with package contents listed in Figure 1 & Parts List below.

Estimated Assembly Time: 15 minutes

Tools Required for Assembly: 8mm wrench, hammer and punch are required for assembly (*Not included*).

1. Attach lower plate (12) and upper plate (11) to tripod legs (15) using bolts & nuts (9 & 10) provided. Finger tighten only. Make sure both plates are placed above the screw hole.
2. Attach lower and upper links (14 & 16) using bolts and nuts (9&10) provided. Do not use any tools to tighten.
3. Insert threaded column (13) into column tube (7).
4. Insert bearing (6) and height adjustment handle (4) into threaded column (13).
5. Attach saddle (2) on top of the threaded column (13) and use a hammer to punch the pin (3) into the threaded column.
6. Insert the assembly of steps 4 and 5 through the upper plate (11).
7. Insert the lock pin (8) to the bottom of the tube (7).
8. Tighten securely all the bolts and nuts.


BEFORE USE

1. Inspect stand before each use. Do not use if bent, broken or cracked components are noted. Ensure that all parts move freely.
2. Verify that the product and the application are compatible, if in doubt call Blackhawk Automotive technical service (816) 891-6390.
3. **Before** using this product, **read the owner's manual and familiarize yourself thoroughly** with the product and hazards associated with its improper use.
4. Always check the vehicle owner's or service manual for location of proper lift and support points. This device is designed to **stabilize, NOT SUPPORT** a vehicle while on an automotive lift. Special skills and knowledge pertaining to working on and around an automotive lift may be required before attempting to position/use this device.

! WARNING


- **Study, understand, and follow** all printed materials provided with/on this device before use.
- **Do not** exceed rated capacity.
- Use only on hard, level surface.
- Center load on saddle.
- **Do not** use the stand to support a vehicle.
- Use stands in pairs **under a properly secured automotive lift** to stabilize the vehicle before starting repairs.
- Only attachments and/or adapters supplied by the manufacturer shall be used.
- No alteration shall be made to this device.
- **Failure** to heed these markings may **result in personal injury and/or property damage.**

OPERATION

 **Use only on areas of the vehicle as specified by the vehicle manufacturer. Use ONLY on vehicles whose contact points are compatible with the saddles of these stands. Incompatibility may result in structural damage to the vehicle and/or stand. Structural damage to either may result in sudden and unexpected loss of load height!**


To Raise Saddle

1. Refer to the vehicle service manual or vehicle manufacturer for location of proper lift and support points. This device is designed to **stabilize, NOT SUPPORT** a vehicle while on an automotive lift.

 **Special skills and knowledge pertaining to working on, under, and around a vehicle on an automotive lift is required before attempting to position/use this device.**

2. Locate and turn the height adjustment handle clockwise.

To Lower Saddle

 **Be sure all tools and personnel are clear before lowering load.**

Slowly turn height adjustment handle counter-clockwise. Ensure vehicle is balanced and secure on the vehicle lift before removing this device.

MAINTENANCE

Periodically inspect each stand. Ensure all parts move freely. Apply grease to fitting as needed. If rust appears, sand affected area and cover with suitable utility paint.

REPLACEMENT PARTS

(Refer to Figure 1 & Parts List on Page 2)

Not all components of the stand are replacement items, but are illustrated as a convenient reference of location and position in the assembly sequence. When ordering parts, give Model number, part number and description below. Call or write for current pricing: SFA Companies Inc. 10939 N. Pomona Ave. Kansas City, MO 64153, U.S.A. Tel: (816)891-6390 Fax: (816)891-6599 E-Mail: sales@blackhawk-automotive.com

ONE YEAR LIMITED WARRANTY

For a period of one (1) year from date of purchase, SFA Companies will repair or replace, at its option, without charge, any of its products which fails due to a defect in material or workmanship under normal usage. This limited warranty is a consumer's exclusive remedy.

Performance of any obligation under this warranty may be obtained by returning the warranted product, freight prepaid, to SFA Companies Warranty Service Department, 10939 N. Pomona Ave., Kansas city, MO 64153. Except where such limitations and exclusions are specifically prohibited by applicable law.

(1) THE CONSUMER'S SOLE AND EXCLUSIVE REMEDY SHALL BE THE REPAIR OR REPLACEMENT OF DEFECTIVE PRODUCTS AS DESCRIBED ABOVE.

(2) SFA COMPANIES SHALL NOT BE LIABLE FOR ANY CONSEQUENTIAL OR INCIDENTAL DAMAGE OR LOSS WHATSOEVER.

(3) ANY IMPLIED WARRANTIES, INCLUDING WITHOUT LIMITATION THE IMPLIED WARRANTIES OF MERCHANTABILITY AND FITNESS FOR A PARTICULAR PURPOSE, SHALL BE LIMITED TO ONE YEAR, OTHERWISE THE REPAIR, REPLACEMENT OR REFUND AS PROVIDED UNDER THIS EXPRESS LIMITED WARRANTY IS THE EXCLUSIVE REMEDY OF THE CONSUMER, AND IS PROVIDED IN LIEU OF ALL OTHER WARRANTIES, EXPRESS OR IMPLIED.

(4) ANY MODIFICATION, ALTERATION, ABUSE, UNAUTHORIZED SERVICE OR ORNAMENTAL DESIGN VOIDS THIS WARRANTY AND IS NOT COVERED BY THIS WARRANTY.

Some states do not allow limitations on how long an implied warranty lasts, so the above limitation may not apply to you. Some states do not allow the exclusion or limitation of incidental or consequential damages, so the above limitation or exclusion may not apply to you. This warranty gives you specific legal rights, and you may also have other rights which vary from state to state.



SFA Companies
10939 N. Pomona Ave. Kansas City, MO 64153
816-891-6390
sales@blackhawk-automotive.com